



SQUARE INSERT BITS—1/4" HEX



Overall Length	Point Size	Part Number
1"	1	K250R1
1"	2	K250R2
1"	3	K250R3



SQUARE POWER BITS—1/4" HEX



Overall Length	Point Size	Part Number
1-15/16"	1	K80-1R
1-15/16"	2	K80-2R
1-15/16"	3	K80-3R
2-3/4"	2	K82-2R
2-3/4"	3	K82-3R
3"	2	K84-2R
3"	3	K84-3R
3-1/2"	2	K86-2R
3-1/2"	3	K86-3R
6"	2	K88-2R






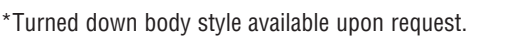
Square Bit Chart

This brief chart will help you match the screw size to the proper Square point.

POINT #0 – FOR SCREWS #3 & #4
POINT #1 – FOR SCREWS #5 THRU #7
POINT #2 – FOR SCREWS #8 THRU #10
POINT #3 – FOR SCREWS #12 THRU #14 AND 1/4







Square Insert & Power Bits

	OVERALL LENGTH	POINT SIZE	PART NO.
1/4" HEX SHANK INSERT BITS			
	1"	0	250R0
	1"	1	250R1
	1"	2	250R2
	1"	3	250R3
Complete Set (4)			250R-SET
 TYPE 440 STAINLESS STEEL	1"	1	250R1SS
	1"	2	250R2SS
	1"	3	250R3SS
	1"	4	250R4SS
Complete Set (4)			250RSS-SET
1/4" HEX SHANK POWER BITS*			
	1-15/16"	0	80-0R
	1-15/16"	1	80-1R
	1-15/16"	2	80-2R
	1-15/16"	3	80-3R
	2-3/4"	1	82-1R
	2-3/4"	2	82-2R
	2-3/4"	3	82-3R
	3"	1	84-1R
	3"	2	84-2R
	3"	3	84-3R
	3-1/2"	1	86-1R
	3-1/2"	2	86-2R
	3-1/2"	3	86-3R
	6"	1	88-1R
	6"	2	88-2R
	6"	3	88-3R

*Turned down body style available upon request.





Square Recess Bits



	OVERALL LENGTH	POINT SIZE	PART NO.
1/4" HEX SHANK INSERT BITS			
	1"	2	250-2RE
1/4" HEX SHANK POWER BITS			
	1-15/16"	2	80-2RE
	3-1/2"	2	86-2RE
	6"	2	88-2RE

Combo Square – Phillips Insert and Power Bits



	OVERALL LENGTH	POINT SIZE	PART NO.
1/4" HEX SHANK INSERT BIT			
	1"	2	250SP2
1/4" HEX SHANK POWER BITS			
	1-15/16"	2	30-2SP
	3-1/2"	2	34-2SP
	6"	2	36-2SP

INDUSTRIAL

BY **QUALTOOL**
The Leading U.S. Manufacturer of Quality Forming Tools for Construction and Industry

TRIPLE SQUARE INSERT BITS



Part Number	Hex Size	Point Size	Overall Length
312-6X-28MM	5/16	6MM	28MM
312-8X-28MM	5/16	8MM	28MM
312-8X-52MM	5/16	8MM	52MM
312-10X-35MM	5/16	10MM	35MM
312-10X-70MM	5/16	10MM	70MM
312-10X-90MM	5/16	10MM	90MM
312-12X-35MM	5/16	12MM	35MM
312-14X-35MM	5/16	14MM	35MM
250-5X-28MM	1/4	5MM	28MM