




Square Bit Chart

This brief chart will help you match the screw size to the proper Square point.

POINT #0 – FOR SCREWS #3 & #4
POINT #1 – FOR SCREWS #5 THRU #7
POINT #2 – FOR SCREWS #8 THRU #10
POINT #3 – FOR SCREWS #12 THRU #14 AND 1/4

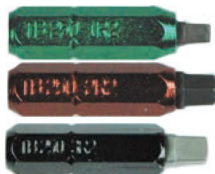


Square 2-Piece Insert & Power Bits

	OVERALL LENGTH	POINT SIZE	PART NO.
1/4" HEX INSERT 2 PIECE SQUARE BITS	1"	1	2501R2
	1"	2	2502R2
	1"	3	2503R2
1/4" HEX SHANK POWER BITS 2 PIECE SQUARE	1-15/16"	1	80-1R2
	1-15/16"	2	80-2R2
	1-15/16"	3	80-3R2
	2-3/4"	1	82-1R2
	2-3/4"	2	82-2R2
	2-3/4"	3	82-3R2
	3"	1	84-1R2
	3"	2	84-2R2
	3"	3	84-3R2
	3-1/2"	1	86-1R2
	3-1/2"	2	86-2R2
	3-1/2"	3	86-3R2
	6"	1	88-1R2
	6"	2	88-2R2
	6"	3	88-3R2



SQUARE 2-PIECE INSERT BITS — 1/4" HEX



Point Size	Overall Length	Color	Part Number
1	1"	Green	TB250-1R2
2	1"	Red	TB250-2R2
3	1"	Black	TB250-3R2



SQUARE 2-PIECE POWER BITS — 1/4" HEX



Point Size	Overall Length	Color	Part Number
1	1-15/16"	Green	TB80-1R2
2	1-15/16"	Red	TB80-2R2
3	1-15/16"	Black	TB80-3R2
1	3-1/2"	Green	TB86-1R2
2	3-1/2"	Red	TB86-2R2
3	3-1/2"	Black	TB86-3R2
2	6"	Red	TB88-2R2
3	6"	Black	TB88-3R2